

SEIBERLICH TRANE HVAC Parts & Supplies

18 Boulden Circle, Suite 10
New Castle, DE 19720
Ph: 302-395-0200
Fx: 302-356-2401

Packaged Terminal Air Conditioners and Heat Pumps

LG product line for hotels and lodging, healthcare, and apartments.



PTAC Features & Benefits



Digital Control Display Includes:

- **Temperature Display on Unit**
Precise and easy-to-use. **ADA compliant.**
- **Cooling, Heating and Fan Modes**
One unit for all seasons.
- **Energy Saver Mode**
Helps to lower energy consumption operational costs and saves money.
- **Auto Restart**
Automatically restarts to programmed setting when the electricity comes on after a power failure.



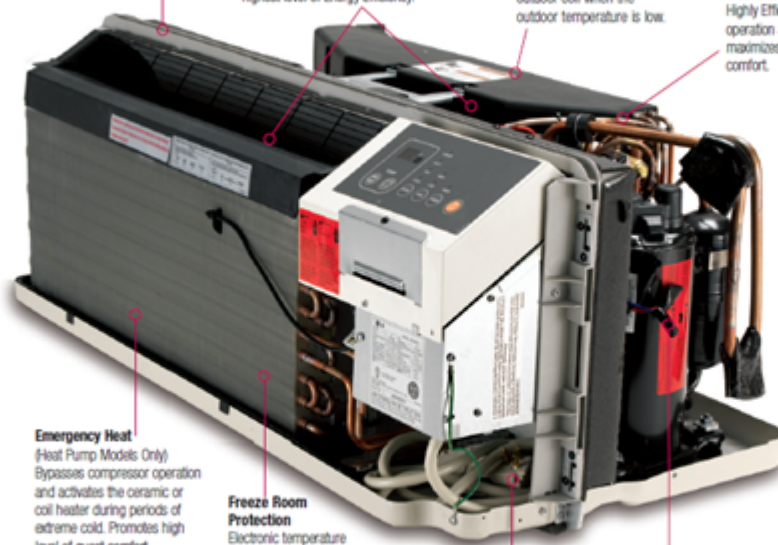
Mechanical Control Display:
Simple and easy-to-use.

Ventilation Filter
Polymeric mesh filter allows clean fresh air into the living space. Ideal for Health Care applications.

Separate Indoor & Outdoor Motors
Dual motor configuration allows the lowest sound rating in the industry while also promoting the highest level of Energy Efficiency.

Defrost Control
(Heat Pump Models Only)
Shuts down the indoor fan to prevent cold air from being blown into the room. Also removes frost from outdoor coil when the outdoor temperature is low.

Sensors
4 Sensors provide Highly Efficient operation and maximizes guest comfort.



Emergency Heat
(Heat Pump Models Only)
Bypasses compressor operation and activates the ceramic or coil heater during periods of extreme cold. Promotes high level of guest comfort.

Freeze Room Protection
Electronic temperature controls constantly monitor and maintain indoor temperature to prevent freezing.

Power Cord
Included with every unit.

High Efficiency Rotary Compressor
Energy efficient and maintenance-free operation.



Wireless Wall Thermostat:

- Digital Touch Screen Controls
- Built In Occupancy Sensor
- True Wireless RF Communication
- Installs In As Little As 10 Minutes
- Easy To Program



Wireless Wall Thermostat Control Board: (Included in Wireless Wall Thermostat kit)

Snaps directly on to PTAC control board--no tools required.



Gold Fin Anti-Corrosive Treatment:
Protects the unit from the corrosive effects of outside air and extends the operating life of PTAC models. LG's patented process is standard on ALL LG PTAC models.



Ceramic Heater:
Even, stable and safe heating platform.

208/230 Volt PTAC Units and Accessories

Submittal Data : PTAC & PTHP - 230/208V (R-410A)



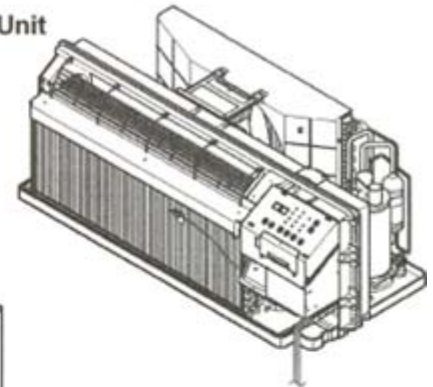
Standard Features :

- Five Year Parts and Labor Warranty on Sealed Refrigerant System
- One Year Full System Warranty on Parts and Labor, 2-5 Year Parts
- R-410A Refrigerant
- Ultra Quiet Operation
- High Energy Efficiency
- Digital Control Display
- Gold Fin™ Anti-corrosion Treatment for Condenser
- Auto Restart
- Energy Saver Mode
- Front Desk Control
- Freeze Room Protection
- Dip Switch setting for temperature limiting
- Temperature Display on unit
- Fresh Air Ventilation, 70 CFM @ 0.3 ESP with Open Damper Door
- Unit Dimension (inches, WxHxD) : 42 x 16 x 19 7/8

Front Grille Assembly



Unit



Unit Specification :

Model No.	Cooling * Capacity (Btu/h)	EER	Heating Capacity (Btu/h)	COP	Electric Heater (kW)	Power Supply (V,Ph,Hz)	Air Circulation (CFM, H/L)	Dehum - idification (pts/hr)	Running Current (Amps)		Power Input (Watts)		Maximum Overcurrent Protection (A)	Weight Net/Gross (lbs)
									Cooling	Heating	Cooling	Heating		
LP073CD2A	7,200/7,000	11.6	-	-	2.5/2.4	230/208,1,60	335/300	2.0	2.8/3.0	-	620/600	-	15	86/90
LP093CD3A	9,000/8,800	11.0	-	-	3.5/3.1	230/208,1,60	335/300	2.6	3.5/3.8	-	820/800	-	20	93/97
LP123CD3A	11,800/11,600	10.5	-	-	3.5/3.1	230/208,1,60	390/355	3.3	4.8/5.2	-	1,110/1,095	-	20	93/97
LP153CD3A	14,300/14,100	9.2	-	-	3.5/3.1	230/208,1,60	390/355	4.4	6.5/7.1	-	1,555/1,530	-	20	101/105
LP073HD2A	7,400/7,200	11.6	6,400/6,200	3.2	2.5/2.4	230/208,1,60	335/300	2.0	2.9/3.0	2.4/2.6	640/620	585/570	15	91/95
LP093HD3A	9,000/8,800	11.0	8,100/7,900	3.2	3.5/3.1	230/208,1,60	335/300	2.6	3.6/3.8	3.2/3.4	820/800	740/720	20	97/101
LP123HD3A	11,600/11,600	10.6	10,800/10,600	3.2	3.5/3.1	230/208,1,60	390/355	3.3	5.0/5.4	4.4/4.8	1,110/1,090	990/970	20	97/101
LP153HD3A	14,700/14,500	9.4	12,100/11,900	2.6	3.5/3.1	230/208,1,60	390/355	4.4	6.7/7.3	5.8/6.3	1,565/1,540	1,365/1,340	20	105/109

Accessories :

Wall Sleeve (42"Wx16"Hx13 3/4"D)	AYSVB01A	Control Escutcheon cover kit(10 pack)	AYRE110
Stamped Aluminum Grille	AYRGALA01	Wall Thermostat Connection Kit	AYWH101
Architecture Grille - Aluminum	AYAGALA01A	EMS/Front Desk Control Connection Kit	AYFD101
Architecture Grille - Dark Bronze	AYAGALB01A	Condensate Drain Kit	AYDR101
Architecture Grille - Soft Dove	AYAGALC01A	Hard Wire Kit	AYHW101
Sub Base (230/208V 20A)	AYSB1101A	Replacement Filter (10 pack)	AYFT110
Sub Base (230/208V 30A)	AYSB2101A	Control Panel Key Lock	AYCP101
Leveling Legs	AYLL101	Condensate Disposal Kit (230/208V)	AYCD2101
Lateral Duct Kit	AYLD1A	Fuse Holder Kit (230/208V 30A)	AYFH1401

Wall Thermostats :

Wired Wall Thermostat	PYRCUCA0A
Wireless Wall Thermostat	PYRUCC2A
Wireless Wall Thermostat with Humidity kit	PYRUCC1HA
Network Connection Kit	PYNTU0A

265 Volt PTAC Units and Accessories

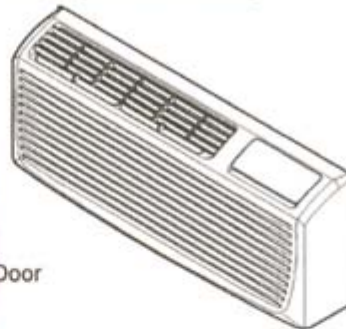
Submittal Data : PTAC & PTHP - 265V (R-410A)



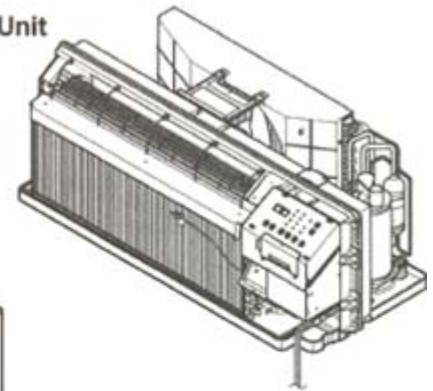
Standard Features :

- Five Year Parts and Labor Warranty on Sealed Refrigerant System
- One Year Full System Warranty on Parts and Labor, 2-5 Year Parts
- R-410A Refrigerant
- Ultra Quiet Operation
- High Energy Efficiency
- Digital Control Display
- Gold Fin™ Anti-corrosion Treatment for Condenser
- Auto Restart
- Energy Saver Mode
- Front Desk Control
- Freeze Room Protection
- Dip Switch setting for temperature limiting
- Temperature Display on unit
- Fresh Air Ventilation, 70 CFM @ 0.3 ESP with Open Damper Door
- Unit Dimension (inches, WxHxD) : 42 x 16 x 19 7/8

Front Grille Assembly



Unit



Unit Specification :

Model No.	Cooling Capacity (Btu/h)	EER	Heating Capacity (Btu/h)	COP	Electric Heater (kW)	Power Supply (V,Ph,Hz)	Air Circulation (CFM, H/L)	Dehumidification (pts/hr)	Current (Amps)		Input (Watts)		Maximum Overcurrent Protection (A)	Weight Net/Gross (lbs)
									Cooling	Heating	Cooling	Heating		
LP076CD2A	7,200	11.0	-	-	2.0	265,1,60	335/300	2.0	2.6	-	855	-	15	88/92
LP096CD3A	9,000	10.5	-	-	3.7	265,1,60	335/300	2.6	3.2	-	860	-	20	94/98
LP126CD3A	11,800	10.2	-	-	3.7	265,1,60	420/390	3.3	4.4	-	1,155	-	20	94/98
LP156CD3A	14,000	9.0	-	-	3.7	265,1,60	420/390	4.4	5.8	-	1,555	-	20	102/106
LP076HD2A	7,300	11.2	6,100	3.1	2.0	265,1,60	335/300	2.0	2.5	2.2	650	580	15	91/95
LP096HD3A	9,200	10.8	8,200	3.2	3.7	265,1,60	335/300	2.6	3.3	2.7	850	750	20	99/103
LP126HD3A	11,800	10.4	10,700	3.2	3.7	265,1,60	420/390	3.3	4.6	3.9	1,135	980	20	99/103
LP156HD3A	14,400	8.9	13,000	2.8	3.7	265,1,60	420/390	4.4	6.2	5.3	1,620	1,360	20	106/110

Accessories :

Wall Sleeve (42"W*16"H*13 3/4"D)	AYSVB01A	Control Escutcheon cover kit (10 pack)	AYRE110
Stamped Aluminum Grille	AYRGALA01	Wall Thermostat Connection Kit	AYWH101
Architecture Grille - Aluminum	AYAGALA01A	EMS/Front Desk Control Connection Kit	AYFD101
Architecture Grille - Dark Bronze	AYAGALB01A	Condensate Drain Kit	AYDR101
Architecture Grille - Soft Dove	AYAGALC01A	Hard Wire Kit	AYHW101
Sub Base 20A 265V	AYSB3101A	Replacement Filter (10 pack)	AYFT110
Sub Base 30A 265V	AYSB4101A	Control Panel Key Lock	AYCP101
Leveling Legs	AYLL101		
Lateral Duct Kit	AYLD1A		

Wall Thermostats :

Wired Wall Thermostat	PYRCUCA0A
Wireless Wall Thermostat	PYRCUCC2A
Wireless Wall Thermostat with Humidity kit	PYRCUCC1HA
Network Connection Kit	PYNTUGA

YOUR TOTAL HVAC RESOURCE...

THE RIGHT PARTS, THE RIGHT ADVICE,
THE RIGHT PLACE, AT THE RIGHT TIME.

**SEIBERLICH
TRANE**
HVAC Parts & Supplies

18 Boulden Circle, Suite 10
New Castle, DE 19720
Ph: 302-395-0200
Fx: 302-356-2401

AIRFLOW	COMPRESSORS	CONTROLS	EQUIPMENT	HVAC SUPPLY	IAQ
Bearings	Emerson Flow Controls	Anixter Communication Wire	Conv Replace Heat Elem	Bacharach	Airguard Filters
Belts	Bristol Compressors	Baron Thermostat Wire	EZ Trap	DiversiTech	Cooper Atkins
Capacitors	Climatuff Compressors	Belimo	Goodway	Dwyer	Dynamic
Fans - Propeller	Copeland Compressors	Hoffman Controls	Hays Fluid Controls	Fastenal	Honeywell Wholesale (IAQ)
Fans - Wheel	Danfoss Compressors	Honeywell OEM	Innerflow Cover	Fieldpiece	HVAC Chemicals
Motors - Comb or Induce	Danfoss System Protectors	Honeywell Wholesale	Ketema Evaps & Cond	Fluke	Lifetime
Motors - Emerson Whls	H & L Compressors	ICM	Light Commercial Unitary	IFM Efector	Loctite
Motors - GE Whls	Model K Compressors	Kele Controls	MovinCool	Klein Tools	NARCO
Motors - OEM	Mueller Brass	Refrigerant Monitors/SCBA	OEM Recovery Tanks	Little Giant	Nu-Calgon
Motors - US Motors	Mueller Copper - Fittings	Siemens	PTACS	Lucas-Milhaupt	Pan Treatments
Sheave & Bushing	Mueller Copper - Line Sets	Thermostats	Purge	McDaniel Metals	Perfect Fit
Super Radiator Coils	Oil	Tracker	Samsung/Quietside Mini Splits	Packless Industries	Rydlyme
Trane Drives	Airgas/Refimax Refrigerant	White-Rodgers Wholesale	SlimDuct	Portals Plus	Telaire
	Respect Compressors	Functional Dev	Sterling GUH	Raytek	Venmate
	Screw Compressors	Fuses		Rectorseal	
	Scroll Com - Cornerstone I	Lectro		Refrigerant Monitors	
	Scroll Com - Cornerstone II	Ranco		Reffec	
	Series 6000 - Carrier	System Sensor		Ritchie	
	Series 6000 - Copeland	O.E. & PROPRIETARY		Robinair	
	Series 6000 - Trane	Engineered Products		RIB	
	Sporlan	Economizer Flange Kits		Safety Today	
	Tecumseh Compressors	Furnace Kits		Sherwood Valves	
				Turbo Torch	
				WJT	

